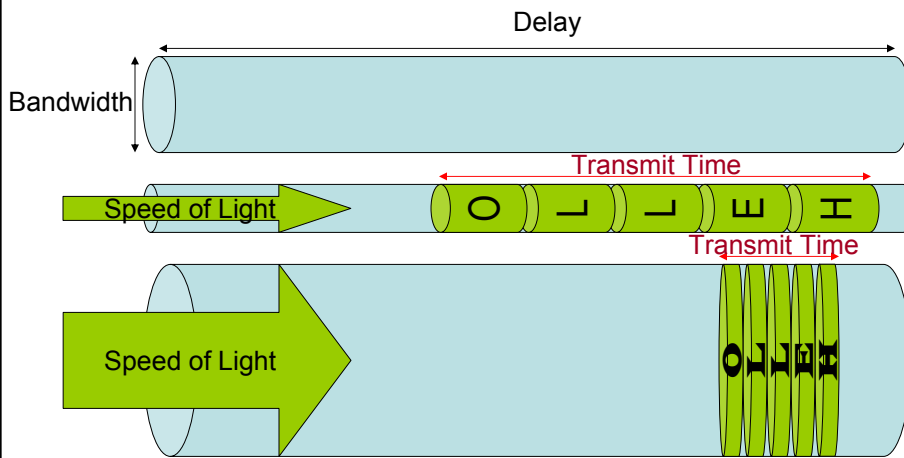


Discussion Section Week 1

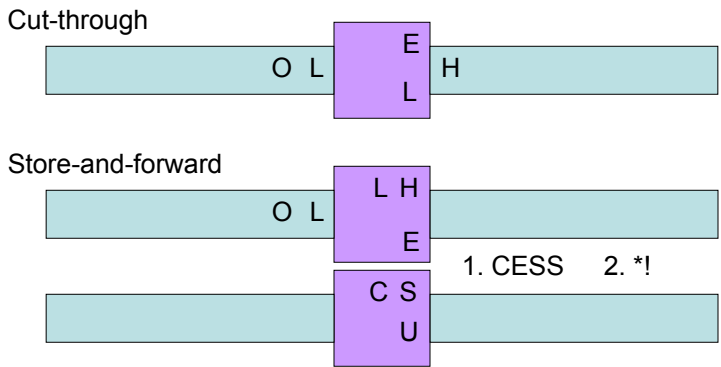
EE122: Introduction to
Communication Networks
Fall 2006

Delay and Bandwidth

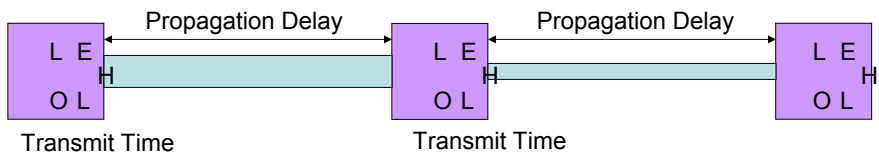


Store and Forward

- There can be cut-through, but diverse reasons for store-and-forward
 - Example: screen bad words



Store and Forward (Continued)



Latency =

- + Propagation Delay 1
- + Transmit Time 1
- + Propagation Delay 2
- + Transmit Time 2
- + Queueing Delay

RTT = Latency_Forward + Latency_Reverse